



Highlights

Extended tip length (8.0 mm) - optimal reach even for recessed DUT socket

Very low mating | unmating force, easy insertion

Non-metal tip, low risk for damaging DUT

Mechanical Data

Temperature range	0 °C - 60 °C
Relative Humidity (non-condensing)	15 % - 95 %
Test cycles	250.000
Mating Force	12.0 N
Unmating Force	10.0 N
RoHS compliant	yes
Lead free	yes

Electrical Data

PWD data	90.0 Ohm
Voltage	20.0 V AC (rms)
Current (power)	1.25 A - pin A1/A4/A9/A12/B1/B4/B9/B12
Current (signal)	0.25 A

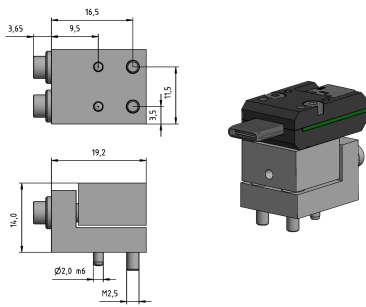
Test Application

Device under test (DUT)	USB-3.1C-F
Gender	female / socket

Accessories

Article Designation	FU 7115 - USB C
---------------------	-----------------

Technical Drawing Accessorie



Technical Drawing

